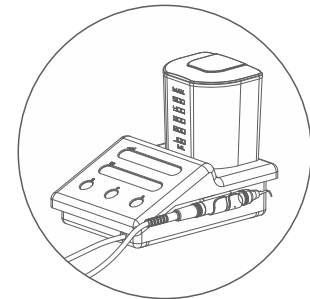
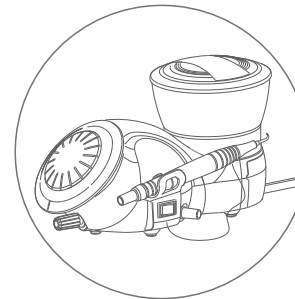
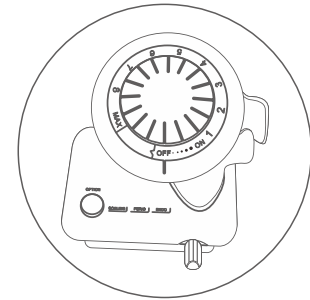
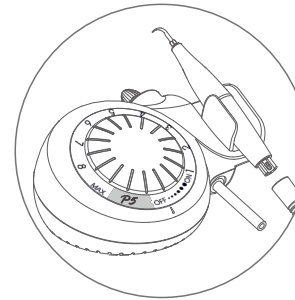


B/P/P9/P8L SERIES ULTRASONIC SCALER INSTRUCTION MANUAL

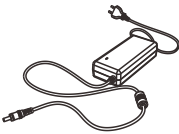


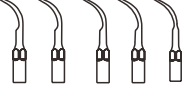



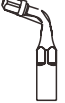


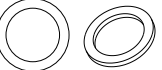
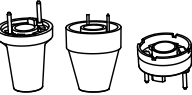

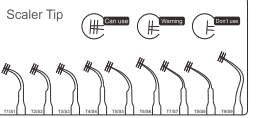
Please read the instruction manual carefully before operating



This manual is suitable for B5,B5S,B5L,P4,P5,BD2,P5L,B6,
B6S,B6L,P6,P7,P7L,P9,P9L,P9-2,P9-3,P8L ultrasonic scaler

Contents

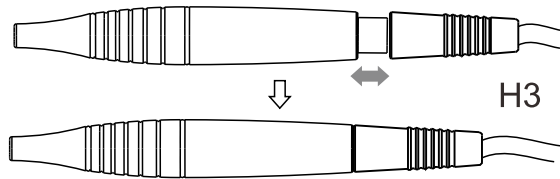
1	Symbol instruction	1
2	Acquaintance of the product and its parts	2
3	Product structure, scope of application and contraindication	9
4	Components	10
5	Technical specifications	10
6	Usage	11
7	Cleaning, disinfection and sterilization	16
8	Precautions	19
9	Maintenance	21
10	Storage and transportation	22
11	After sales service	23
12	Environmental protections	23

Components			
			
Adapter	Foot switch	Water pipe	Scaler tips
			
Torque wrench	Wrench	Endo wrench	Endo chuck
			
Endo file	Water filter	"O" water-proof circle	Decorative ring
			
LED lamp	Handpiece	Varios tip card	

Scaler handpieces match the corresponding scaler models

No	Scaler handpiece	The corresponding scaler models
1	D2	BD2/P9-2
2	D3	P9-3
3	H1	B5/B6
4	H2	P4/P6
5	H3	P5/P7/P9
6	HS1	B5S/B6S
7	L1	B5L/B6L
8	L3	P5L/P7L/P9L/P8L
9	Golden L3	P5L periodontal version/P7L periodontal version/ P9L periodontal version

Sketch map for how to connect detachable handpiece
(Take H3 handpiece for example)

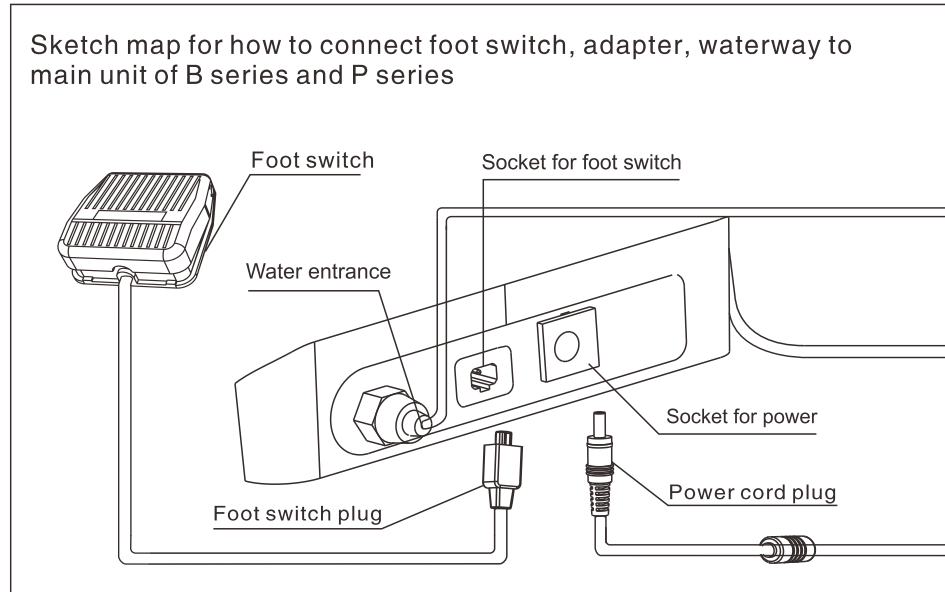
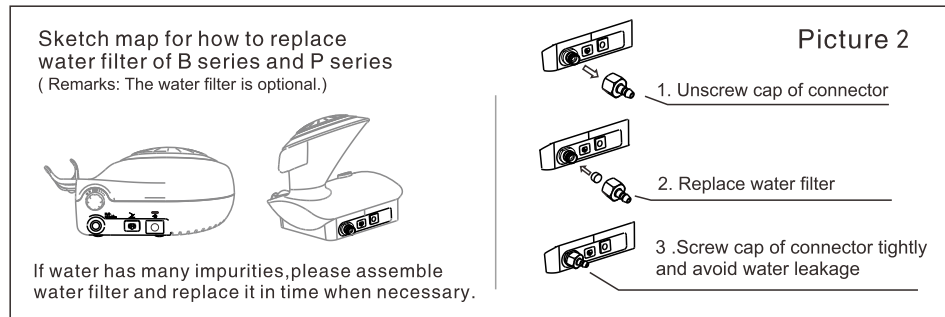
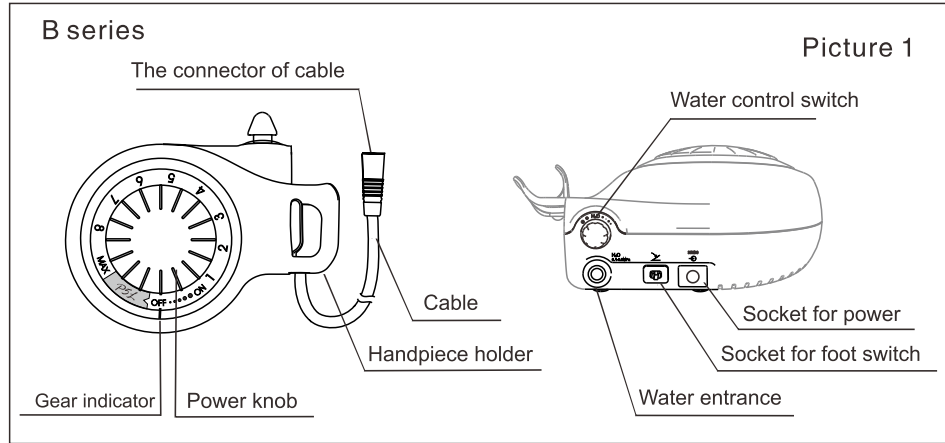


Picture 11

1 Symbol instruction

	Class II equipment		Caution
	Type B applied part		Follow instructions for use
	Alternating current		30VDC input
	Foot switch		Water control switch
	Use indoor only		Water entrance 0.10MPa~0.5MPa (1bar~5bar)
	Autoclavable		Appliance compliance with WEEE directive
	Date of manufacture		Ordinary equipment
	Serial number		Drop-proof

2 Acquaintance of the product and its parts



11 After sales service

11.1 We offer 15 months free repair to the equipment based on warranty card from the date when it is sold to the end user. Lifetime maintenance.

11.2 The repair of the equipment should be carried out by our professional technician. Irretrievable damage caused by the nonprofessional technician, and damage accidentally or deliberately caused by operators, are out of the range of warranty.

12 Environmental protections

12.1 You can deal with it based on the local law.

12.2 We reserve the right to change the design of the equipment, product technique, accessories, instruction manual and the content of original packing at any time without notice. If there are some differences between picture and real equipment, take the real equipment as the norm.

9.2 Notes

9.2.1 [Note 1] Adjust the water control switch according to the direction shown can control the water volume.

9.2.2 [Note 2] Clean the water pipe with the multi-function syringe of the dental unit (Picture 4).

- ① Cut the water pipe at a distance of 10cm to 20cm from the water entrance.
- ② Turn on the electricity and get through the electricity.
- ③ Connect the multi-function syringe of dental unit to water pipe.
- ④ Disassemble the tip.
- ⑤ Turn on the power and step on the foot switch to start the scaler.
- ⑥ Turn on the switch of the multi-function syringe, press the water into the machine and the impurity blocked in the water pipe can be eliminated.

9.2.3 [Note 3] If the scaler tip has been screwed tightly and there is good spray too, the following phenomena show that the scaler tip is damaged:

- ① The vibrating intensity and the water atomization degree become weak obviously.
- ② During treatment, it produces the sound like "buzz" from the scaler tip.

9.3 If not use for a long time, please make the machine get through the electricity and water once per month for five to ten minutes.

10 Storage and transportation

10.1 Environmental conditions of storage and transportation:

- a). Relative humidity: 0 to 80%
- b). Atmospheric pressure: 50kPa to 106kPa
- c). Environmental temperature: -20°C to $+55^{\circ}\text{C}$

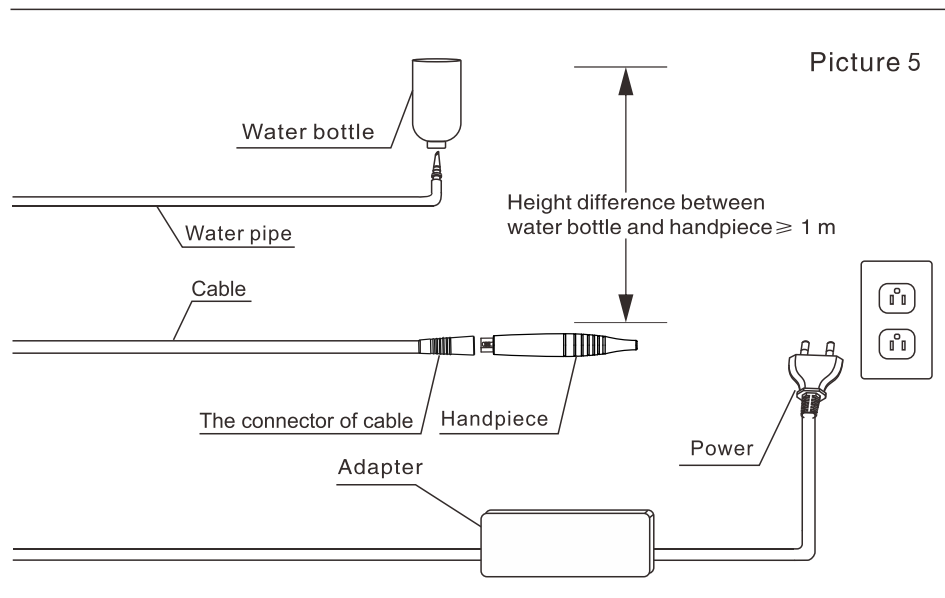
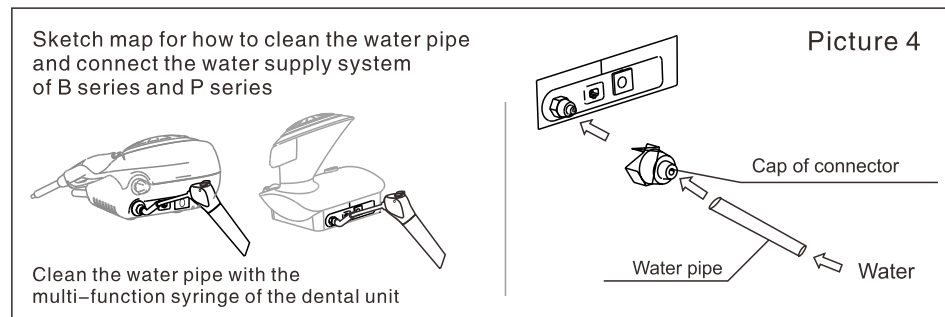
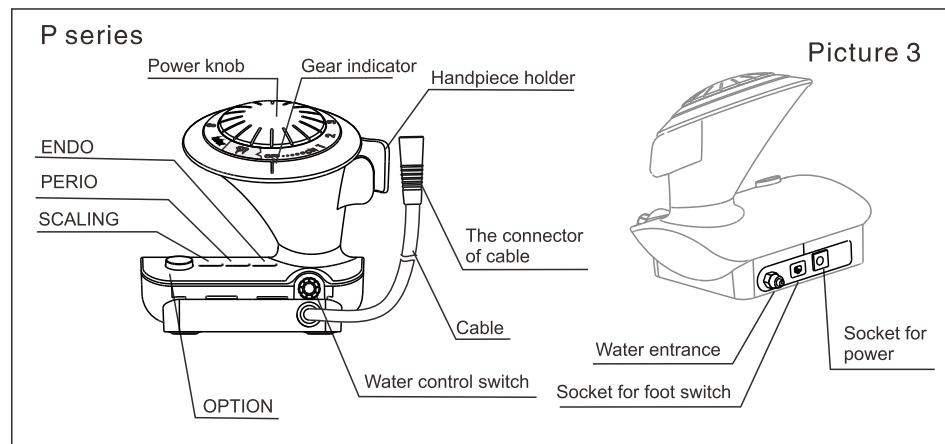
10.2 Prevent excessive shock and vibration in transportation, be sure to handle with care and avoid inversion.

10.3 Don't mix with dangerous goods during transportation.

10.4 Avoid the sun, rain or snow during transportation.

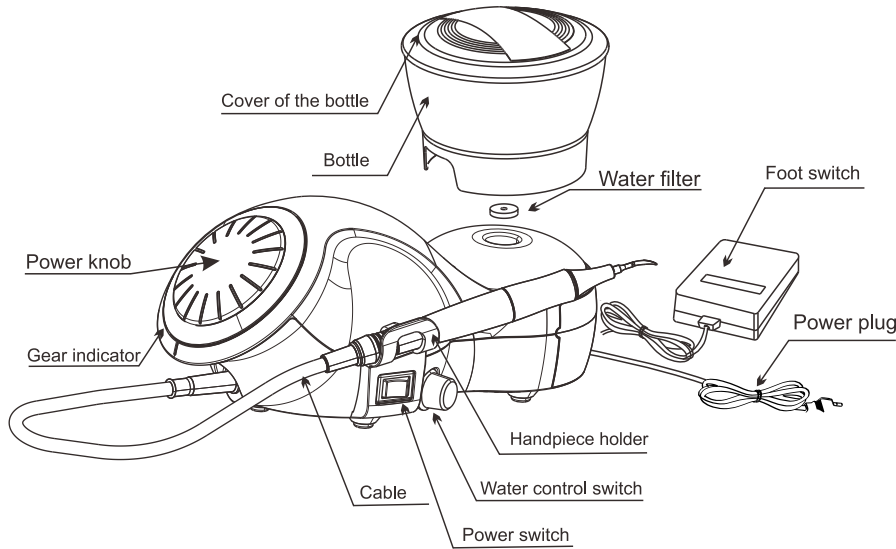
10.5 The equipment should be handled carefully and lightly. Be sure that it is far from the vibration, and install or store in a cool, dry and ventilated place.

10.6 Don't store the machine with the articles that are combustible, poisonous, caustic and explosive.



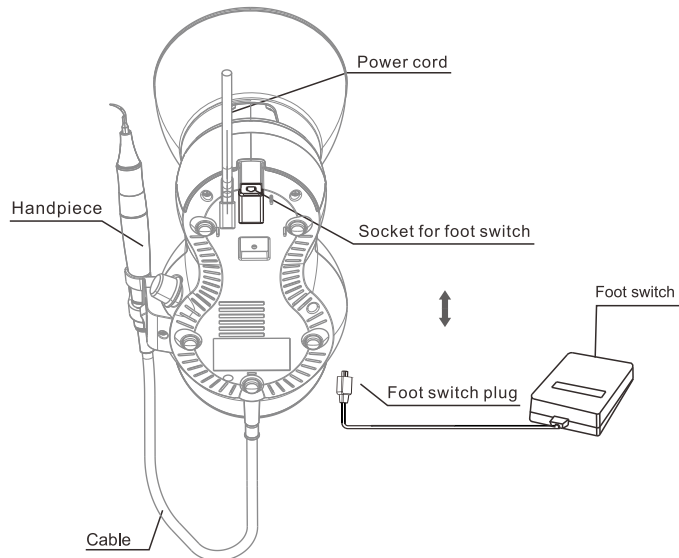
P9 series

Picture 6



Sketch map for how to connect foot switch

Picture 6-1



9 Maintenance

9.1 Troubleshooting and notes

Fault	Possible cause	Solutions
The scaler tip doesn't vibrate and there is no water flowing out when stepping on the switch.	The power plug of B5/ B5S/B5L/ P4/P5/BD2/ P5L/B6/ B6S/B6L/P6/P7/ P7L is in loose contact.	Insert the plug to the socket well.
	The foot switch is in loose contact.	Insert the foot switch to its socket tightly.
	The fuse of transformer of B5/ B5S/ B5L/P4/P5/BD2/P5L/B6/ B6S/B6L/ P6/P7/P7L is broken.	Contact our dealers or us.
	The fuse in the main unit is broken.	Contact our dealers or us.
The scaler tip doesn't vibrate but there is water flowing out when stepping on the switch.	The tip is in loose contact.	Screw the tip on the handpiece tightly (Picture 8).
	The connect plug between the handpiece and the circuit board is in loose contact.	Contact our dealers or us.
	Problem of handpiece.	Contact our dealers or us.
The scaler tip vibrates but there is no spray when stepping on the switch.	The water control switch is not on.	Turn on the water control switch [note 1].
	There is impurity in the solenoid valve of B5/B5S/B5L/ P4/P5/BD2/P5L/B6/ B6S/B6L/ P6/P7/P7L/P8L.	Contact our dealers or us.
	The water system of B5/B5S/ B5L/ P4/P5/BD2/ P5L/B6/B6S/ B6L/P6/ P7/P7L is blocked.	Clean the water pipe by multi-function syringe [note2].
	There is air in the water pipe.	B5/B5S/B5L/P4/P5/BD2/P5L/B6/B6S/ B6L/P6/P7/P7L: disassemble the scaler tip, and turn the water control switch to maximum. Meanwhile, make water pressure higher to 0.5MPa max. P9/P9L/P9-2/P9-3/P8L: Step on the foot switch, turn the water control switch to maximum, and disassemble the handpiece. If necessary, disassemble bottle and assemble it again.
	Water single pass of B5/B5S/ B5L/ P4/P5/BD2/P5L/B6/B6S/B6L/P6/P7/ P7L is blocked	Replace water filter (Picture 2).
There is still water flowing out after the power is off.	There is impurity in the solenoid valve of B5/B5S/B5L/ P4/P5/BD2/P5L/B6/ B6S/B6L/ P6/P7/P7L.	Contact our dealers or us.
The handpiece generates heat.	The water control switch is in a low grade	Turn the water control switch to a higher grade [note 1].
The amount of spouting water is too little.	The water pressure for B5/ B5S/B5L/ P4/P5/BD2/P5L/B6/ B6S/B6L/P6/P7/ P7L is not high enough.	Make the water pressure higher.
	The water pipe of B5/B5S/B5L/ P4/ P5/BD2/P5L/B6/B6S/B6L/ P6/P7/ P7L is blocked.	Clean the water pipe by multi-function syringe [note 2].
The vibration of the tip becomes weak.	The tip hasn't been screwed on the handpiece tightly.	Screw the tip on the handpiece tightly (Picture 8).
	The tip is loose because of vibration.	Screw the tip tightly (Picture 8).
	The tip is damaged. 【 Note 3 】	Change a new one.
The joint of the handpiece and cable has water leakage.	"O" water-proof circle is broken.	Change a new one.
The endo file doesn't vibrate	The screw is loosen	Tighten it (Picture 9)
	The endo chuck is damage	Change a new one
There is noise coming from the endo chuck	The screw is loosen	Tighten it (Picture 9)

If the problem still can't be solved, please contact with local dealer or manufacturer.

8.11 After operating, turn off power (turn the power switch to OFF), then pull out the plug, and cut off power supply.

8.12 Performing endo function under the scaling status (the blue area) is forbidden for P9/P9L/P9-2/P9-3.

8.13 Please check the water filter of P9/P9L/P9-2/P9-3 routinely, replace if necessary (Picture 6-3).

8.14 Put the liquid into the bottle of P9/P9L/P9-2/P9-3/P8L and close it with its cover after the bottle is properly installed on the main unit.

8.15 Use P9/P9L/P9-2/P9-3/P8L only after the bottle is closed with its cover.

8.16 After stopping operation, let P9/P9L/P9-2/P9-3/P8L continuously work under condition of water getting through for 20 to 30 seconds to clean the water circuit, and then clean the connection of bottle.

8.17 If don't use P9/P9L/P9-2/P9-3/P8L for a long time, please install the dry and clean bottle on the main unit and close its cover, in case the dust fly into the connection of bottle.

8.18 We are only responsible for the safety of machine in the following conditions:

I. The maintenance, repair and modification are made by the manufacturer or the authorized dealer.

II. The changed components are original and operated according to instruction manual.

8.19 Please use our T series tips for B5/B5L/P4/P5/P5L/B6/B6L/P6/P7/P7L/P9/P9L/P8L and use S series tips for B5S/BD2/B6S/P9-2/P9-3. If forcibly use other tips which may not match the scaler, it may result in damage beyond repair.

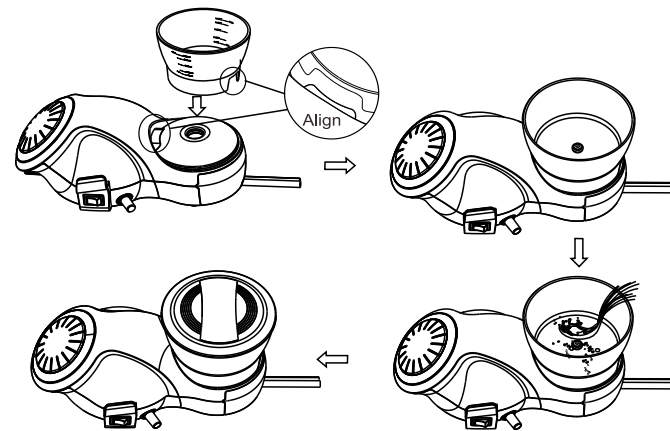
8.20 Please use our power supply or same model power supply.

8.21 The device has been tested and homologated in accordance with EN 60601-1-2 for EMC. This does not guarantee in any way that this device will not be effected by electromagnetic interference.

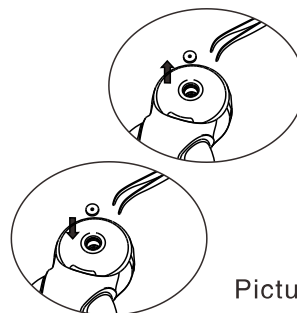
Avoid using the device in high electromagnetic environment.

Sketch map of assembling bottle

Picture 6-2

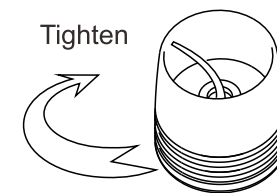


Sketch map for how to replace water filter



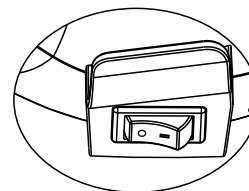
Picture 6-3

Sketch map for how to install tip
Note: The tip is tightened when the wrench slips for 2 circles.

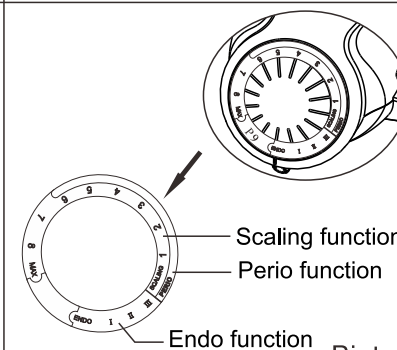


Picture 6-4

Power switch

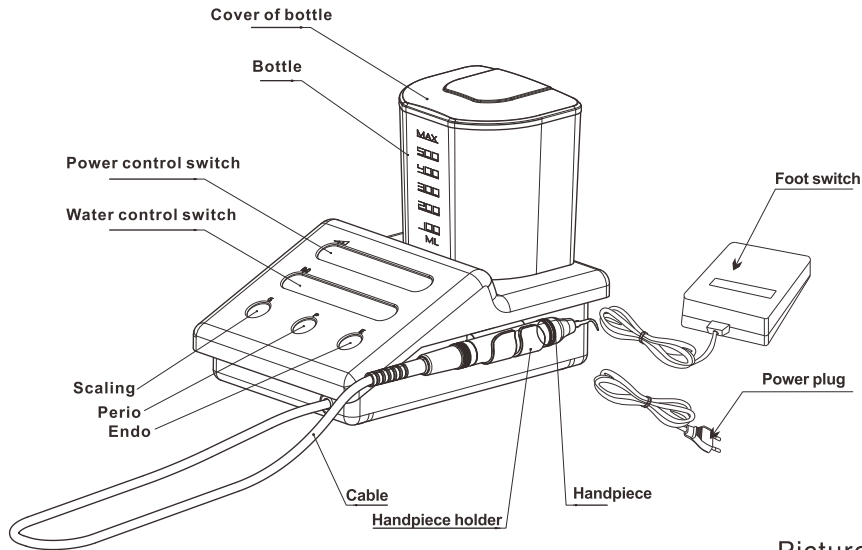


Picture 6-5



Picture 6-6

P8L



Picture 7

7.2.9 Processing limit

7.2.9.1 The medical devices have been designed for a large number of cleaning, disinfection and sterilization cycles. The materials used in manufacture were selected accordingly. However with every renewed preparation for use, thermal and chemical stresses will result in ageing of the medical device. The maximum number of sterilizations for ultrasonic scaler handpiece and ultrasonic scaler tip is 250 times.

7.2.9.2 When obvious damage is found on the surface during the inspection of ultrasonic scaler handpiece and ultrasonic scaler tip, don't continue cleaning, disinfection and sterilization.

8 Precautions

8.1 Please keep the scaler clean.

8.2 The handpiece, scaler tip, endo chuck, endo file, endo wrench and torque wrench must be sterilized before each treatment.

8.3 Don't screw or unscrew handpiece and scaler tip when stepping on the foot switch.

8.4 The scaler tip must be fastened by torque wrench and there must be fine spray coming from the tip when operating.

8.5 Change a new one when the tip is damaged or worn excessively.

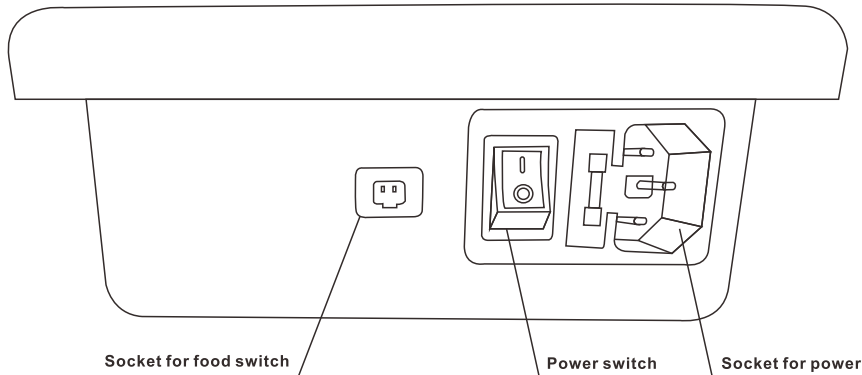
8.6 Don't twist the tip or rub it.

8.7 Please use purity water source and be sure not to use normal brine instead of purity water source for B5/B5S/B5L/P4/P5/BD2/P5L/B6/B6S/B6L/P6/ P7/ P7L. Choose the liquid according to clinic treatment for P9/P9L/P9-2/P9-3/P8L.

8.8 If use non-pressure water for B5/B5S/B5L/P4/P5/BD2/P5L/B6/B6S/B6L/ P6/P7/P7L, the water should be one meter higher than the head of the patient.

8.9 When the scaler is operated, please don't pull the handpiece forcibly in case of the handpiece or handpiece cord damage.

8.10 Don't knock or rub the handpiece.



Picture 7-1

b). The sterilization bag can with stand high temperature of 134°C and has sufficient steam permeability.

7.2.6 Sterilization

7.2.6.1 Use only the steam sterilization procedures for sterilization, and other sterilization procedures are prohibited.

7.2.6.2 Only the moistheat sterilization method required by ISO17665 standards is allowed to sterilize the medical device.

7.2.6.3 Sterilization parameters and conditions

a). Sterilization temperature: 132–134 °C.

b). Sterilization times: 4 minutes.

c). Dry times: 20 minutes.

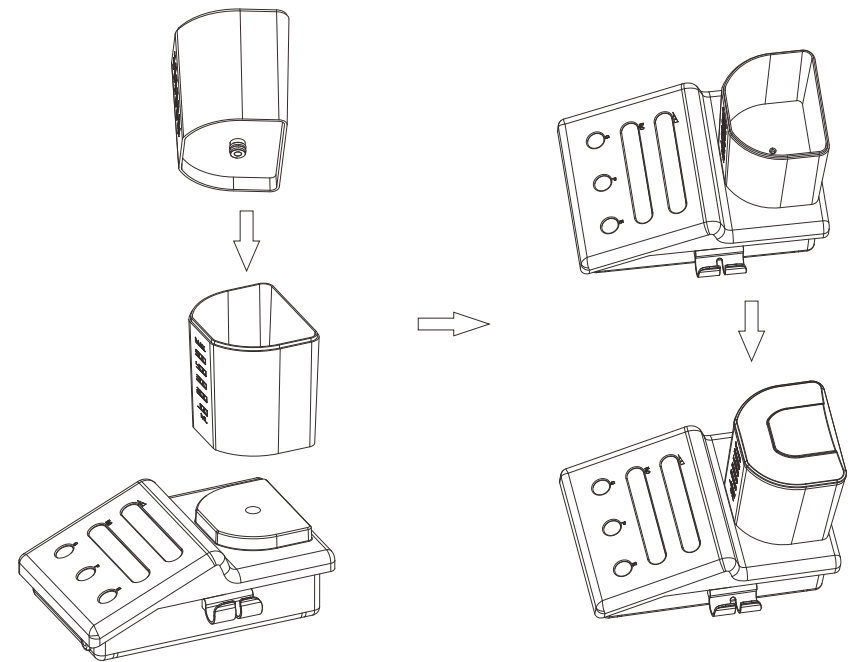
7.2.6.4 Precautions

- a). Only products that have been effectively cleaned and disinfected are allowed to be sterilized;
- b). Before using the sterilizer for sterilization, read the instruction manual provided by the equipment manufacturer and follow the instructions;
- c). Do not use hot air sterilization and radiation sterilization as this may result in damage to the product;
- d). Please use the recommended sterilization procedures for sterilization. It is not recommended to sterilize with other sterilization procedures such as ethylene oxide, formaldehyde and low temperature plasma sterilization. The manufacturer assumes no responsibility for the procedures that have not been recommended. If you use the sterilization procedures that have not been recommended, please adhere to related effective standards and verify the suitability and effectiveness.

7.2.7 The sterilization package of ultrasonic scaler handpiece and ultrasonic scaler tip shall be protected well during storage after sterilization to prevent the medical device from pollution.

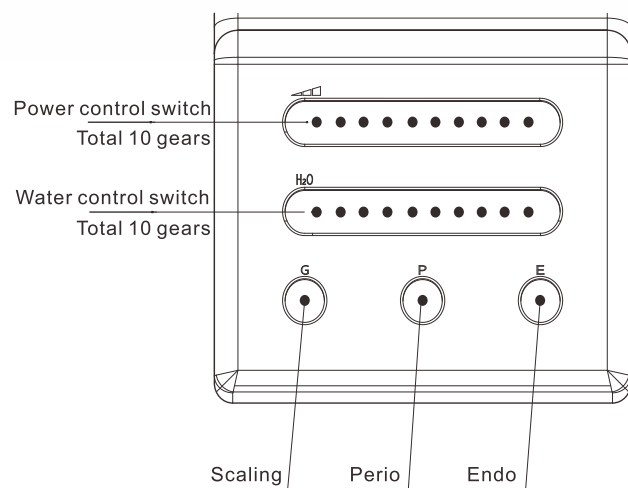
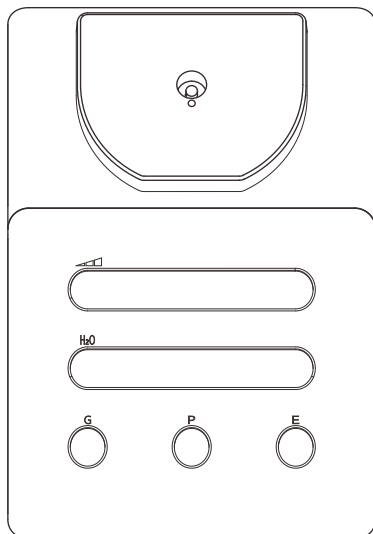
7.2.8 In the process of transportation, the medical device only needs to be ensured that its package is intact to prevent it from pollution.

Sketch map pf assembling bottle



Picture 7-2

Touch panel



Picture 7-3

7.2.2.4 Precautions:

- The cleaning agent used here must be compatible with the ultrasonic scaler handpieces and only freshly prepared solutions can be used.
- The water temperature should not exceed 45°C, otherwise the protein will solidify and it is difficult to remove.

7.2.3 Disinfection

7.2.3.1 Disinfection must be performed no later than 2 hours after the cleaning phase.

7.2.3.2 Automated disinfection

- The thermal automated disinfection method is adopted.
- Stipulated disinfection temperature: 90°C.
- Disinfection time: 6 minutes.
- Select the sterilizer meets the requirements of ISO15883 standards.

7.2.3.3 Precautions

Before use, you must carefully read the instruction manual provided by the equipment manufacturer to familiarize yourself with the disinfection process and precautions.

7.2.4 Inspection and maintenance

7.2.4.1 Check the ultrasonic scaler handpiece and its accessories. If there is still visible stain on the handpiece and its accessories after cleaning/disinfection, the entire cleaning/disinfection process must be repeated.

7.2.4.2 Check the surface of ultrasonic scaler handpiece. If there is obvious damage, breakage, falling off, corrosion or bending, it must be scrapped and cannot be used again.

7.2.5 Packaging

In order to make ultrasonic scaler handpiece and ultrasonic scaler tips not easy to be polluted after sterilization, meanwhile the package needs not to be damaged during moistheat sterilization process, select the sterilization bag that meets the following two conditions to pack ultrasonic scaler handpiece and ultrasonic scaler tips.

- The sterilization bag used conforms to ISO 11607;

7 Cleaning, disinfection and sterilization

7.1 Cleaning and disinfecting undetachable handpiece

Handpiece can be cleaned and disinfected by a non-corrosive disinfectant with neutral PH value. Do not disinfect in high temperature and pressure.

7.2 Cleaning, disinfecting and sterilizing detachable handpiece

7.2.1 Processing principles

7.2.1.1 It is only possible to carry out effective sterilization after the completion of effective cleaning and disinfection. Please ensure that, as part of your responsibility for the sterility of products during use, only sufficiently validated equipment and product-specific procedures are used for cleaning, disinfection and sterilization, and that the validated parameters are adhered to during every cycle.

7.2.1.2 Please also observe the applicable legal requirements in your country as well as the hygiene regulations of the hospital or clinic.

7.2.2 Cleaning

7.2.2.1 The cleaning of ultrasonic scaler handpiece and ultrasonic scaler tips should be performed no later than 12 hours after operation.

7.2.2.2 Pre-cleaning

a). Flush the device under flowing water and brush the contaminant with a soft brush for no less than 1 min. Wipe the surface and groove of the device with a lint-free soft cloth for no less than 2 min until all residue visible has been removed.

b). Place the device into the specified sterilization container, and then put the container into the rapid automatic washer-disinfector.

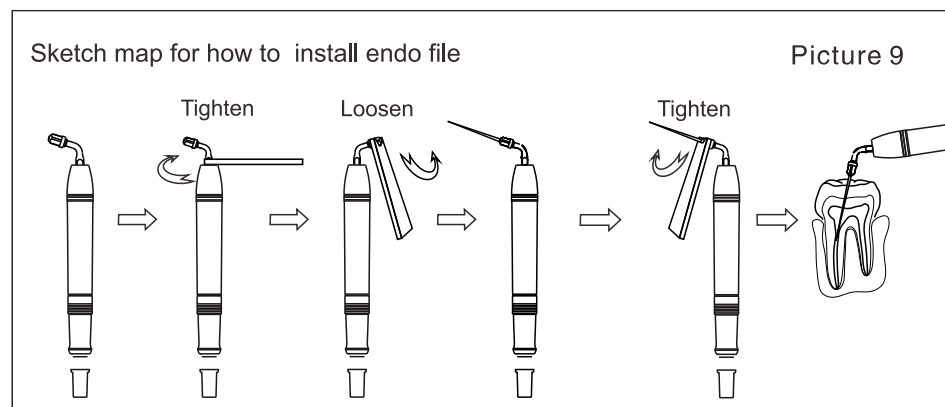
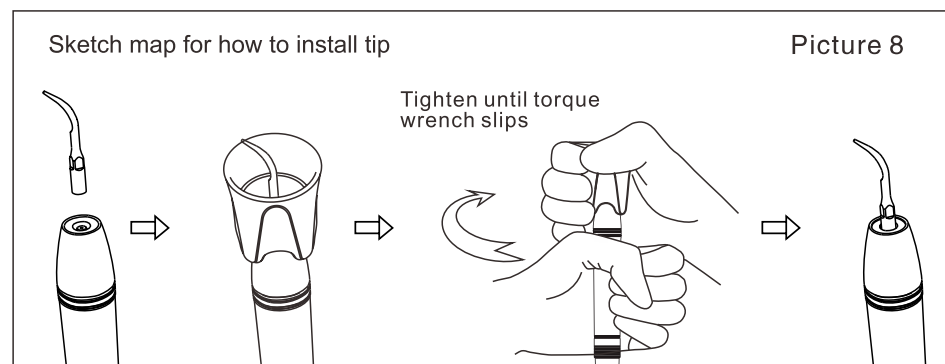
7.2.2.3 Automated cleaning

a). It is recommended to use a washer-disinfector in accordance with EN ISO15883.

b). Cleaning agent: ENDOZIME AW Plus W/APA. Dilution ratio: 1:270

c). Time of cleaning: 5 minutes

d). Temperature: 15–60°C



3 Product structure, scope of application and contraindication

3.1 Product performance and structure

Ultrasonic scaler is composed of electrocircuit, waterway and ultrasonic transducer.

3.2 Intended use

A powered device utilizing a vibrating ultrasonic tip to remove calculus and other accretions from tooth surfaces during dental cleaning, periodontal therapy and root canal treatment.

3.3 Contraindication

3.3.1 The hemophilia disease patients or patients with thrombocytopenia purpura are forbidden to use this equipment.

3.3.2 The patients or doctors with heart pacemaker are forbidden to use this equipment.

3.3.3 The heart disease patients, pregnant women and children should be cautious to use the equipment.

4 Components

Product components are subject to the packing list.

5 Technical specifications

5.1 Performance technical specifications

Adapter Input	B5/B5S/B5L/P4/P5/BD2/P5L/B6/B6S/B6L/P6/P7/P7L: 100-240V~ 50/60Hz 0.7A- 0.4A
	P9/P9L/P9-2/P9-3/P8L: 230V~ 50/60Hz 150mA; 110V~ 50/60Hz 300mA
Main unit input	B5/B5S/B5L/P4/P5/BD2/P5L/B6/B6S/B6L/P6/P7/P7L: 30V $\overline{=}$ 1.2A
Main unit fuse	B5/B5S/B5L/P4/P5/BD2/P5L/B6/B6S/B6L/P6/P7/P7L: 250V/T 1.6AL
	P9/P9L/P9-2/P9-3/P8L: F1(250VT 0.3AL) F1(250VT 0.5AL) F2(250VT 0.3AL) F2(250VT 0.5AL) F3(250VT 1.6AL) F3(250VT 1.6AL)
Output power	3W~ 20W
Output tip vibration frequency	28kHz \pm 3kHz
Output half-excursion force	<2N
Output primary tip vibration excursion	\leq 200 μ m
Water pressure	B5/B5S/B5L/P4/P5/BD2/P5L/B6/B6S/B6L/P6/P7/P7L: 0.1MPa~0.5MPa(1bar~5bar)
Water flow rate	P9/P9L/P9-2/P9-3/P8L: 0~50ml/min
Operating mode	Continuous operation
Electric shock protection type	Class II
Classification 93/42/EEC	Class II a
Degree of protection against electric shock	B5/B5S/B5L/P4/P5/BD2/P5L/B6/B6S/B6L/P6/P7/P7L:B
	P9/P9L/P9-2/P9-3/P8L: BF
Degree of protection against harmful ingress of water	Ordinary equipment (IPX0), Foot switch(IPX1)
Degree of safety of application in the presence of a Flammable Anesthetic Mixture with air or with Oxygen or Nitrous Oxide	Equipment not suitable for being used in the presence of a flammable anesthetic mixture with air or with oxygen or nitrous oxide.

6.5 Vibration intensity: Adjust the vibration according to the requirement.

Generally adjust to 3 to 4 grade, but also adjust vibration intensity according to the patient's sensitivity and hardness of dental calculus at any time during the clinical treatment.

6.6 Water volume adjustment: Step on the foot switch and the tip vibrates, and then turn the water control switch to form good spray to cool handpiece and clean teeth.

6.7 Generally, hold the handpiece in the gesture as a pen in hand.

6.8 In clinical treatment, don't use the point of tip to contact with the teeth vertically, so as not to damage teeth and tip.

6.9 The normal frequency is extremely high. Under the normal working status of scaler tip, a light touch and a certain to-and-fro motion will eliminate the tartar without heating. Overexertion and long-time lingering are forbidden.

6.10 After finishing operation, keep the machines working for 20–30 seconds on the water supply condition in order to clean the handpiece and tips.

6.11 Uninstall the tip, sterilize handpiece, tips, endo chuck, endo file and torque wrench.

Note: Please don't pull out the handpiece and tips when the foot switch is stepped on and the machine is producing ultrasonic vibration.

P8L: Press "P" button. The green indicator lights and the equipment enters into PERIO mode.

② Select a suitable perio tip for periodontics treatment. Adjust the suitable power.

c). Endo function

① P9/P9L/P9-2/P9-3: Adjust the power knob until the green indicator lights (Picture 6-6).

P8L: Press "E" button. The green indicator lights and the equipment enters into ENDO mode.

② Screw the endo chuck on the handpiece with endo wrench.

③ Loosen the nut of endo chuck.

④ Insert the endo file into the front hole of endo chuck and use endo wrench to tighten the nut so as to clamp the endo file.

⑤ Put the endo file into the patient's root canal slowly, step on the foot switch and conduct the ultrasonic root canal therapy. Power and water can be adjusted according to actual needs during clinical treatment.

Note: Don't step on the foot switch before putting the endo file into the root canal.

5.2 The conditions of working environment:

5.2.1 Environmental temperature: +10°C to +40°C

5.2.2 Environmental humidity: 0 to 80%

5.2.3 Atmospheric pressure: 700hPa to 1060hPa

6 Usage

6.1 Open the packaging, make sure that all the parts and accessories are complete according to the packing list. Take the main unit out of the box and put it on a stable plane.

6.2 Turn the water control switch to the max based on symbol as shown in 9.2.1[Note 1].

6.3 Insert the plug of the foot switch to its socket.

6.4 Different operations of B, P, P9, P8L series scalers

6.4.1 Operations of B5/B5S/B5L/P4/P5/BD2/P5L/B6/B6S/B6L/P6/P7/P7L

6.4.1.1 Connect one end of the water pipe to the water entrance, lock the water pipe tightly with locknut, and connect the other end to the pure water source.

6.4.1.2 Connect the handpiece with the cable (Picture 11), select a suitable scaler tip as you need and screw it on the handpiece tightly by the torque wrench (Picture 8).

6.4.1.3 Turn off the main unit power, then insert the plug of the power source, and then get through to the power.

6.4.1.4 Turn on the power button, and start the machine.

6.4.1.5 Function selection of P4/P5/BD2/P5L (with Scaling, Perio, Endo functions) and B6/B6S/B6L/P6/P7/P7L

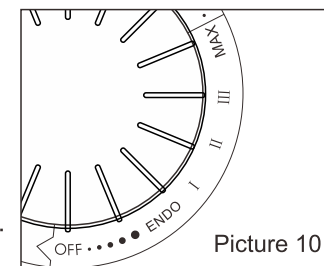
A). Function selection of P4/P5/BD2/P5L (with Scaling, Perio, Endo functions)

Turn the power knob to the corresponding area as required.

① ENDO function

Turn the power knob to ENDO and the power is turned on. The machine enters into ENDO mode.

Adjust power at " I II III MAX" area as required (Picture 10).



Picture 10

② SCALING function

Turn the power knob to SCALING area and the indicator turns blue.

The machine enters into SCALING mode.

③ PERIO function

Turn the power knob to PERIO area and the indicator turns blue. The machine enters into PERIO mode. It is suggested that the maximum power should not exceed 6–7 grade of green area under PERIO mode.

B). Function selection of B6/B6S/B6L/P6/P7/P7L

Press the function button to choose scaling, periodontal or endo mode.

a). Scaling function.

After start the machine, the default initial state is scaling function, and SCALING indicator lights.

b). Periodontal function

① Press “OPTION” button, switch to periodontal function, then PERIO mode indicator lights.

② After switching to periodontal function, select the right tips, and use torque wrench to fix it on the handpiece.

③ Adjust the frequency based on current status, it can be periodontal scaling after adjusting the right frequency.

c). Endo function (Picture 9)

① Press “OPTION” button, switch to endo function, and ENDO indicator lights.

② Use endo wrench to fix endo chuck to handpiece. (Picture 9)

③ Loosen the nut of endo chuck.

④ Insert endo file in the front hole of the endo chuck and use endo wrench to tighten the nut so as to clamp the file.

⑤ Put the endo file into patient's root canal slowly, start the foot switch can conduct ultrasonic root canal therapy. During clinical treatment, adjust the frequency according to actual situation.

Note: Must put the endo file into root canal before starting the foot switch.

6.4.2 Operations of P9/P9L/P9-2/P9-3/P8L

6.4.2.1 Install the bottle:

① Clean the connection interface of the bottle.

② Install the bottle to the main unit (Picture 6–2,7–2).

③ Put proper volume of pure water or special liquid medicine, such as Hydrogen Peroxide, Chlorhexidine, Sodium Hypochlorite into the bottle.

Note: The liquid medicine can not be lower than the lower limit to insure flowing smoothly, and can not be higher than the upper limit to insure safety.

④ Install the cover of bottle (Picture 6–2,7–2).

6.4.2.2 Connect the handpiece with the cable (Picture 11). Hold the handpiece in the same gesture as a pen in hand.

6.4.2.3 Select a suitable scaler tip as you need and screw it on the handpiece (Picture 6–4).

6.4.2.4 Connect the power and press the power switch.

a). P9/P9L/P9–2/P9–3: The power is connected when it shows blue color (Picture 6–5).

b). P8L: The power is connected when it shows green color (Picture 7–1).

6.4.2.5 Adjust the power knob of P9/P9L/P9–2/P9–3 or the power control switch of P8L as you need, step on the foot switch and start the equipment.

6.4.2.6 Function selection: Adjust the power knob of P9/P9L/P9–2/P9–3 or press “G”, “P”, “E” button of P8L to select the needed function.

a). Scaling function

① P9/P9L/P9–2/P9–3: Adjust the power knob until the blue indicator lights.

P8L: Press “G” button. The green indicator lights and the equipment enters into SCALING mode.

② Select a suitable scaling tip according to your need and screw it on the handpiece tightly by the torque wrench (Picture 6–4, 8).

b). Perio function

① P9/P9L/P9–2/P9–3: Adjust the power knob until the blue indicator lights, and place the power indication in the light blue area (Picture 6–6).